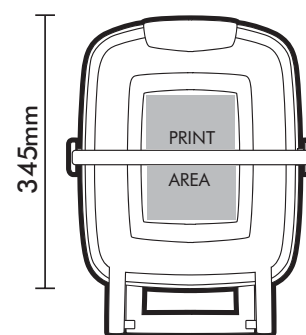
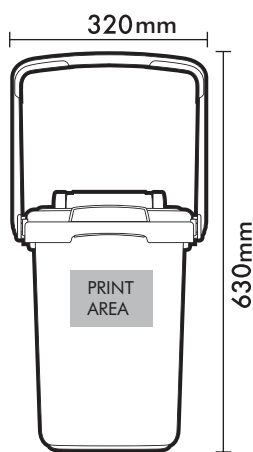
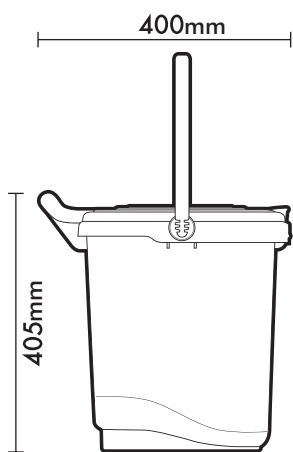


## 23 LITRE KERBSIDE CADDY PRODUCT SPECIFICATION

Designed for the kerbside collection and short term storage of domestic food waste as part of a local authority collection service. The 23 litre Kerbside Caddy is intended to be stored both indoors and out and to prevent the contents from spilling onto the street in the event of the container being toppled. The rotating carry handle is shaped such that it is easily cleaned and the entire container has the minimum possible dirt traps. With thick wall sections and large rounded corners the 23 litre Kerbside Caddy is able to deal with the stresses typical of a domestic kerbside container.

### Dimensions and Print Areas



Print area on the body 148mm x 105mm

Print area on the lid 120mm x 165mm

### Prime (virgin) Standard Colour Range

Silver (CTM54)  
Brown (CTM17)  
Green x 2 (CTM66 & CTM671)  
Blue (CTM771)

Swatches available on request for clarity. Bespoke shades available on individual quotation basis, dependent on quantity. We are also pleased to offer product in blended (part recycled, part prime) materials (Brown and Green) or reprocessed material (Black).

### Specification

**Capacity** 23 litres  
**Approx Weight** (empty) Body 937g  
Lid 258g  
Handle 188g

**Total weight 1383g**

### Packing

180 units per pallet  
26 pallets per load  
4680 units per load  
Fully assembled in the manufacturing facility



## 23 LITRE KERBSIDE CADDY PRODUCT SPECIFICATION

### Offloading

Offloading requires Fork Lift Truck. Alternative arrangements (tail-lift, pallet truck, moffett) available as optional extras to be covered at quotation stage.

### End of Life Recycling

Upon end of life all of the Kerbside Caddy components are fully recyclable.



### Other Information

Multiple RFID Chip Nest Positions.

### Tests

#### At 8 hour intervals a random sample of production is tested as follows:

1. Strength of Handles - Suspension test – set first complete unit aside to cool for two hours. Suspend loaded with 15kg for 1 hour, ensuring handle centrally placed on the rig.
2. Impact strength of base - 1 metre drop test with flat base impact on concrete loaded with 15 kg.
3. Handle lock test. Check full handle motion and thus, the locking mechanism and fit of the lid.

### Warranty

All caddies are made from polypropylene and all materials used have a notched Izod rating (a measure of impact tolerance) of 5. We are happy to offer a 5 year guarantee on caddies manufactured in prime (also referred to as virgin) material and in reprocessed or in blended material. The guarantee is made on the basis that these products are utilised for intended purpose only, that is, collection of domestic food or dry recyclable waste. Any perceived failure of product in circumstances where the caddy has been used for any other purpose or has been subject to anything other than normal operating conditions will not be covered by the terms of this guarantee.

